

HDBaseT Extender Set with Wall-Plate Transmitter



Safety Instructions

For optimum performance and safety, please read these instructions carefully before use and keep this manual for future reference. Please have the part number, serial number, and invoice available when requesting support.

- To prevent electric shock, please ensure that all apparatus is properly grounded.
- Place the device in a well-ventilated area, do not block any ventilation openings.
- Do not expose this apparatus to rain or place it near water. Any liquid that goes into the apparatus may cause a failure, fire, or electric shock.
- Do not place the device on an uneven or unstable surface. The device may fall resulting in a malfunction.
- Never insert anything metallic into the open parts of this apparatus. This may cause a danger of electric shock.
- If a third-party power supply is used, please ensure that the power supply specifications meet the product requirements.

Introduction

The Evolution by Vanco [EVWP3000](#) HDBaseT extender with single-gang wall-plate transmitter supports resolutions up to 4K@60Hz, 4:4:4 chroma over a single Cat5e/6 cable up to 131ft (40m) or 1080p@60Hz up to 230ft (70m). Featuring HDBaseT technology, this extender set supports audio, video, IR, and Power over HDBaseT (PoH) that transmits power over the Cat5e/6 cable. The EVWP3000 is a great wall-plate solution for extending HDMI signals using HDBaseT technology for both residential and commercial installations.

Product features:

- Features HDBaseT technology that distributes uncompressed high-definition signals at twice the distance of HDMI cables
- Extends 1080p resolutions up to 230ft (70m) and 4K@60Hz resolutions up to 131ft (40m) over a single Cat5e/6 cable
- Transmits power over a single Cat5e/6 cable using Power over HDBaseT (PoH) technology that provides power to the transmitter or receiver without the need for an additional power supply
- HDCP compliant
- Includes auto equalization and EDID
- Supports LPCM 2/5.1/7.1CH, Dolby Digital, Dolby Digital Plus, DTS, DTS-HD audio formats
- Features bi-directional IR at 38KHz
- Includes a single-gang transmitter and wall mountable receiver

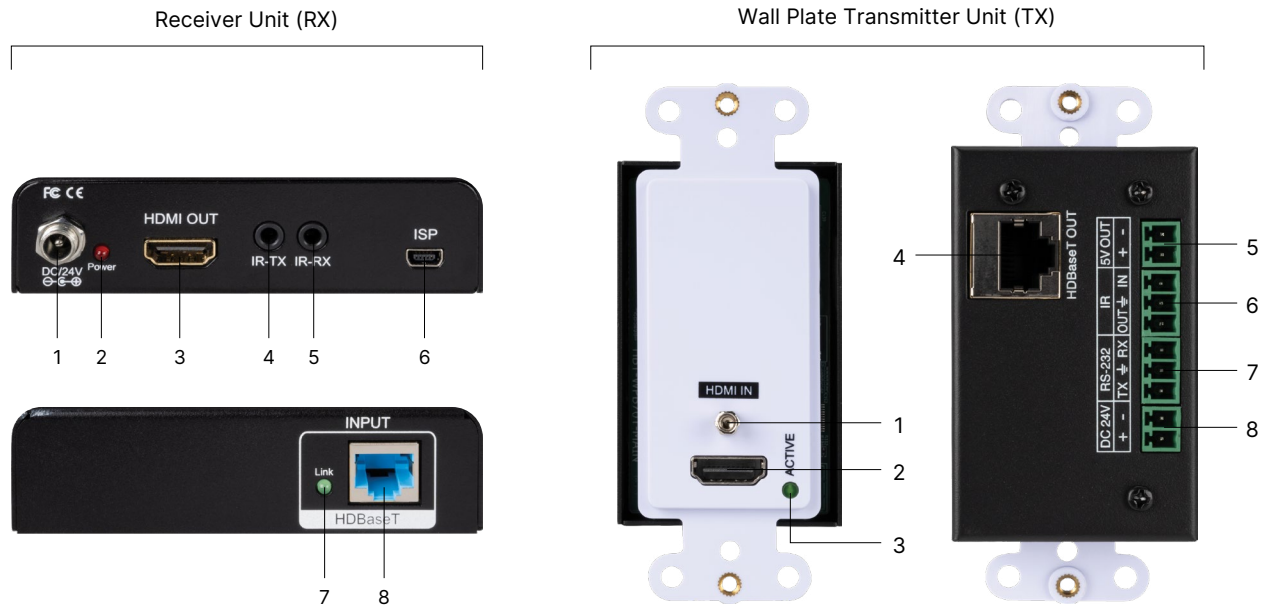
Package contents:

- (1) EVWP3000 wall-plate transmitter (TX) and EVRX3000 receiver (RX) set
- (1) IR transmitter
- (1) IR receiver
- (2) 2-pin phoenix terminals
- (2) 3-pin phoenix terminals
- (1) 24V, 1A power supply with adapter
- (2) Wall-plate mounting screws (TX)
- (1) White decora wall-plate (TX)
- (4) Mounting ears (RX)
- (8) Mounting screws (RX)
- (1) Quick-start guide

Product Specifications

Technical	
HDMI Compliance	HDMI 2.0
HDCP Compliance	HDCP 1.4/2.2
Video Resolution	4K@60Hz, 4:4:4 up to 131ft (40m)
	1080p@60Hz, up to 230ft (70m)
Color Space	RGB/YCbCr 4:4:4/4:2:2
Color Depth	8/10/12 Bit
HDMI Audio Formats	LPCM 2/5.1/7.1CH, Dolby Digital, Dolby Digital Plus, DTS, DTS-HD
ESD Protection	Air Gap Discharge +/-8kV
Human Body Model	Contact Discharge +/-4kV
Connections	
Transmitter Inputs	(1) HDMI Input (Type A, 19-pin)
	(1) IR (phoenix jack)
	(1) RS232 (phoenix jack)
	(1) HDBaseT Out (RJ45)
Receiver	(1) HDMI Output (Type A, 19-pin)
	(1) IR IN
	(1) IR OUT
	(1) HDBaseT IN (RJ45)
Mechanical	
Power Supply	Input: AC100~240V 50/60Hz
	Output: DC 24V, 1A
	US/EU Standards, CE/FCC/UL
Power Consumption	9W (Max)
Operating Temperature	32-104°F (0-40°C)
Storage Temperature	-4-140°F (-20-60°C)
Relative Humidity	20-90% RH (no condensation)
Dimensions	Transmitter: 1.8" (46mm) W x 4.1" (103.5mm) H x 1.2" (30mm) D
	Receiver: 3.82" (97.1mm) W x 1" (25.4mm) H x 3.58" (91mm) D
Weight	Transmitter: 5.75 oz (163g)
	Receiver: 6.75 oz (191g)

Panel Descriptions



Receiver Unit (RX)

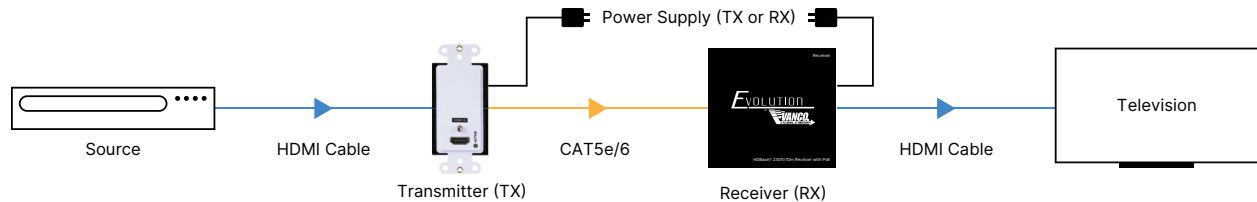
1	DC 24V	Connect provided 24V power supply (either the TX or RX)
2	Power LED	Illuminates when power is connected
3	HDMI OUT	Connects to HDMI sink or display
4	IR TX	Use to connect the provided IR transmitter
5	IR RX	Use to connect the provided IR receiver
6	ISP	Reserved for FW updates
7	Link LED	Illuminates when signal and power is connected and being sent and received over the single Cat5e/6
8	HDBaseT INPUT	Connects to HDBaseT output on the transmitter using a well terminated Cat5e/6 cable

Wall Plate Transmitter Unit (TX)

1	Screw Terminal	Used with locking HDMI cables
2	HDMI Input	Connect to HDMI source
3	Active Light	Illuminates green when power and signal is active
4	HDBaseT Output	Connects to HDBaseT input on receiver using a well terminated Cat5e/6
5	5V OUT	Supplies 5V IR with additional power (if needed)
6	IR	IN: Use to connect to an IR receiver
		OUT: Use to connect to an IR emitter
7	RS-232	Reserved for FW and product updates
8	DC 24V	Connect provided 24V power supply (either the TX or RX)

Connect and Operate

1. Connect a source such as a Blu-Ray player, game console, A/V receiver, cable or satellite receiver, etc. to the HDMI input on the transmitting unit.
2. Connect a display such as an HDTV or HD projector to the HDMI output on the receiving unit.
3. Connect a single Cat5e/6 cable to the "HDBaseT OUT" connector of the transmitting unit, and then to the "HDBaseT INPUT" connector of the receiving unit.
4. For power, plug in the transmitting or receiving unit with included DC 24V 1A power supply.
5. Power on each device in the same sequence - transmitter and receiver will already be powered when either unit is plugged in.



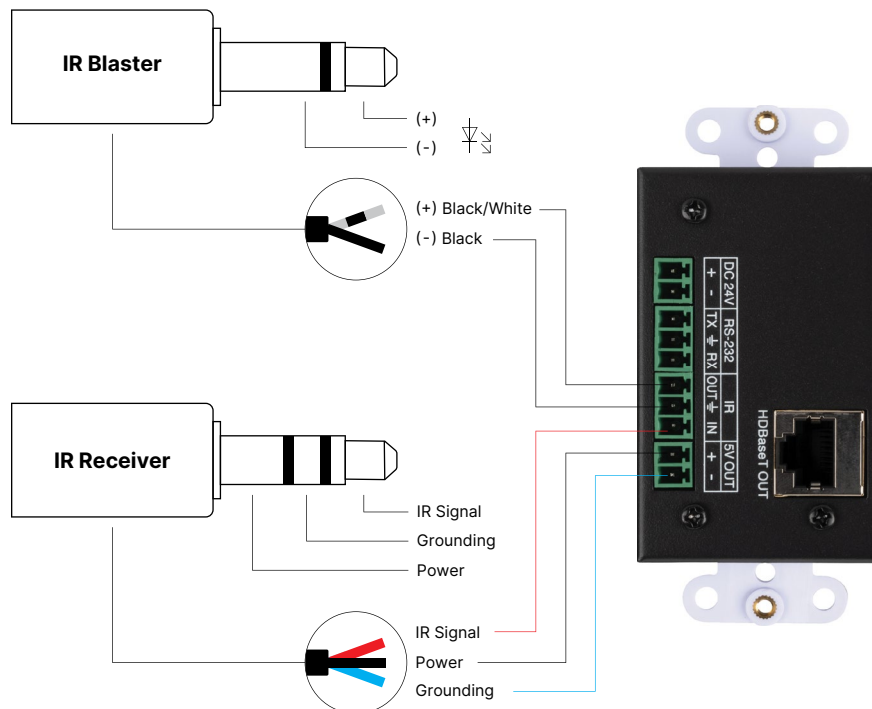
At this point the display connected should display the source signal connected to the extender set. If no signal is being displayed, check cables and connections.

IR Pass-Through

The bi-directional IR system allows you to control the source that is connected to the extender unit, from the display; or the display from the source, not simultaneously. There are two important things to note when setting up the IR system:

1. The IR Receiver (IR RX) is always what you point your remote at to send an IR signal. This pigtail is placed at the display for controlling the source; or at the source for controlling the display.
2. The IR Emitter (IR TX) is what sends the IR signal to what you are intending to control, whether it's the source or the display. This pigtail is placed at the source; either pointed at the source, or placed on the front panel of the source. Or placed at the display to control the display from the source.

Below is the IR pinout which can help when connecting and configuring the IR phoenix connectors on the transmitter.



Limited Warranty

With the exceptions noted in the next paragraph, Vanco warrants to the original purchaser that the equipment it manufactures or sells will be free from defects in materials and workmanship for a period of 10 years from the date of purchase. Should this product, in Vanco's opinion, prove defective within this warranty period, Vanco, at its option, will repair or replace this product without charge. Any defective parts replaced become the property of Vanco. This warranty does not apply to those products which have been damaged due to accident, unauthorized alterations, improper repair, modifications, inadequate maintenance and care, or use in any manner for which the product was not originally intended.

Items integrated into Vanco products that are made by other manufacturers, notably computer hard drives and liquid crystal display panels, are limited to the term of the warranty offered by the respective manufacturers. Such specific warranties are available upon request to Vanco. A surge protector, power conditioner unit, or an uninterruptible power supply must be installed in the electrical circuit to protect against power surges.

If repairs are needed during the warranty period the purchaser will be required to provide a sales receipt/sales invoice or other acceptable proof of purchase to the seller of this equipment. The seller will then contact Vanco regarding warranty repair or replacement.

Liability Statement

Every effort has been made to ensure that this product is free of defects. The manufacturer of this product cannot be held liable for the use of this hardware or any direct or indirect consequential damages arising from its use. It is the responsibility of the user and installer of the hardware to check that it is suitable for their requirements and that it is installed correctly. All rights are reserved. No parts of this manual may be reproduced or transmitted by any form or means electronic or mechanical, including photocopying, recording or by any information storage or retrieval system without the written consent of the publisher.

Manufacturer reserves the right to revise any of its hardware and software following its policy to modify and/or improve its products where necessary or desirable. This statement does not affect the legal rights of the user in any way. For additional information, please visit www.vanco1.com.

Technical Support

Please read this product manual prior to calling or installing this unit, since it will familiarize you with the capabilities of this product and its proper installation.

In case of problems, please contact Vanco Technical Support by dialing 1-800-626-6445. You can also email technical support issues to techsupport@vanco1.com. When calling, please have the part number, serial number (affixed to the bottom of the unit) and invoice available for reference during the call.

All active electronic products are 100% inspected and tested to insure highest product quality and trouble-free installation and operation. The testing process utilizes the types of high-definition sources and displays typically installed for entertainment and home theater applications.

Vanco Tech Support

Phone: 1-800-626-6445

Email: techsupport@vanco1.com

Web: www.vanco1.com

Please have the part number, serial number, and invoice available when requesting support.

