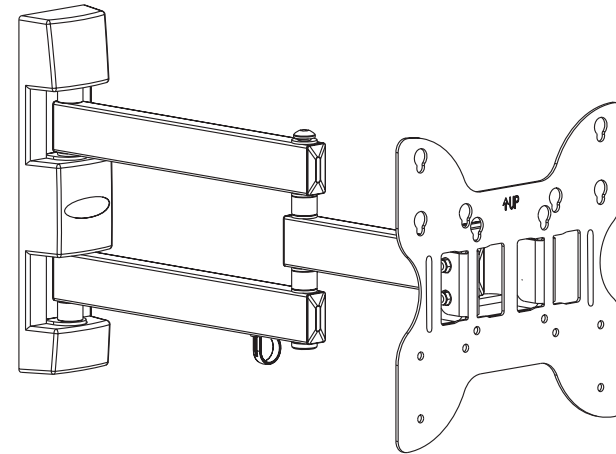


INSTALLATION GUIDE

Item No.: LCD1440



Thank you for choosing our product!



Manufactured in China for Vanco International
506 Kingsland Dr., Batavia, IL, 60510 USA
Call: 1.800.626.6445, Fax: 1.630.879.9189
www.vanco1.com, ©2010

Warning

This product contains small items that could be a choking hazard if swallowed. Keep these items away from young children !

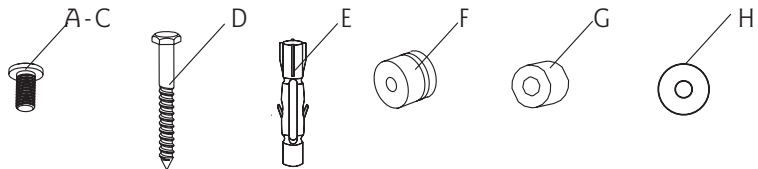
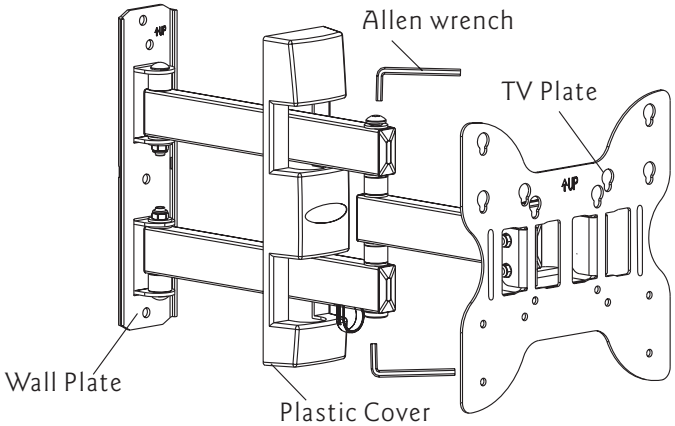
1. Make sure these instructions are read and completely understood before attempting installation. If you are unsure of any part of this installation, contact a professional installer for assistance.
2. The wall or mounting surface must be capable of supporting the combined weight of the mount and the display; otherwise the structure must be reinforced
3. Safety gear and proper tools must be used. A minimum of two people are required for this installation. Failure to use safety gear can result in property damage, serious injury or death.

- TV Size Range: 14" – 40"
- Maximum Weight Capacity: 36 kg/80 lbs
- VESA Compliant (75, 100, 200x 100, 200 x 200)
- Tilt Degree -5° to 15°
- Minimum Mounting Profile: 2.87" Extends to 18.39"
- UL Listed

CAUTION

This product was designed to be installed on wood stud walls and solid concrete walls. Before installing make sure the supporting surface will support the combined load of the equipment and hardware. Never exceed the Maximum Load Capacity. This product is intended for indoor use only. Use of this product outdoors could lead to product failure or personal injury.

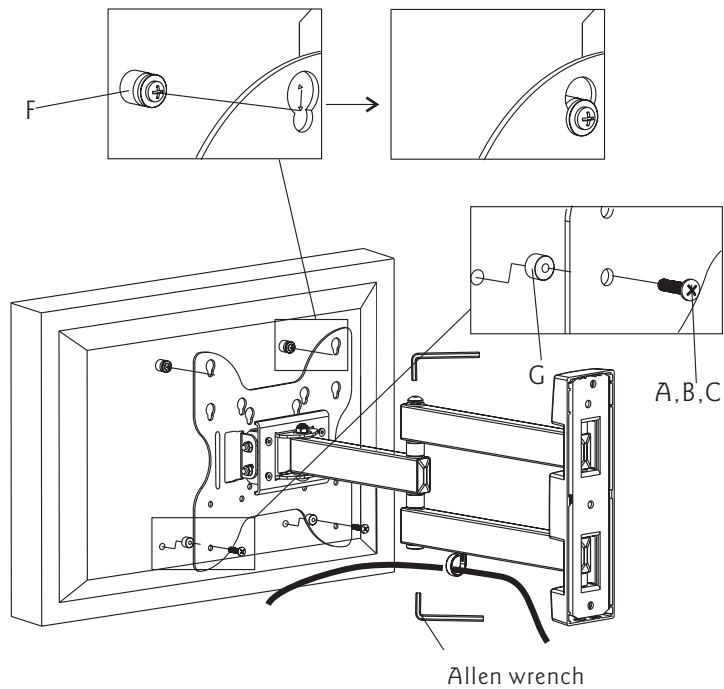
Hardware Kit:



ID	Qty	Description
A	4	M4×25mm Bolt
B	4	M5×25mm Bolt
C	4	M6×25mm Bolt
D	4	Drywall bolt
E	4	Concrete Anchor
F	2	Fastener
G	2	Spacer
H	4	Washer

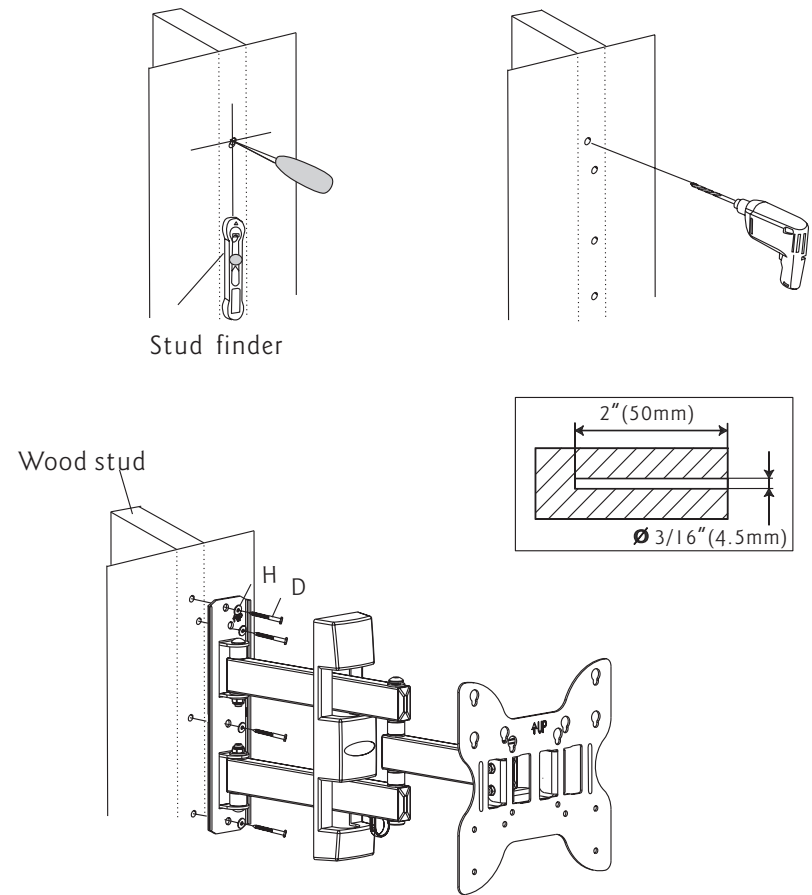
Lift the screen and hook spacers(F) on to the wall plate. Fasten the bottom of the screen to wall plate using two selected bolts and two spacers(G). Tighten bolts firmly. Do not overtighten.

NOTE: Allen wrench may be needed to adjust the swivel of the mount.



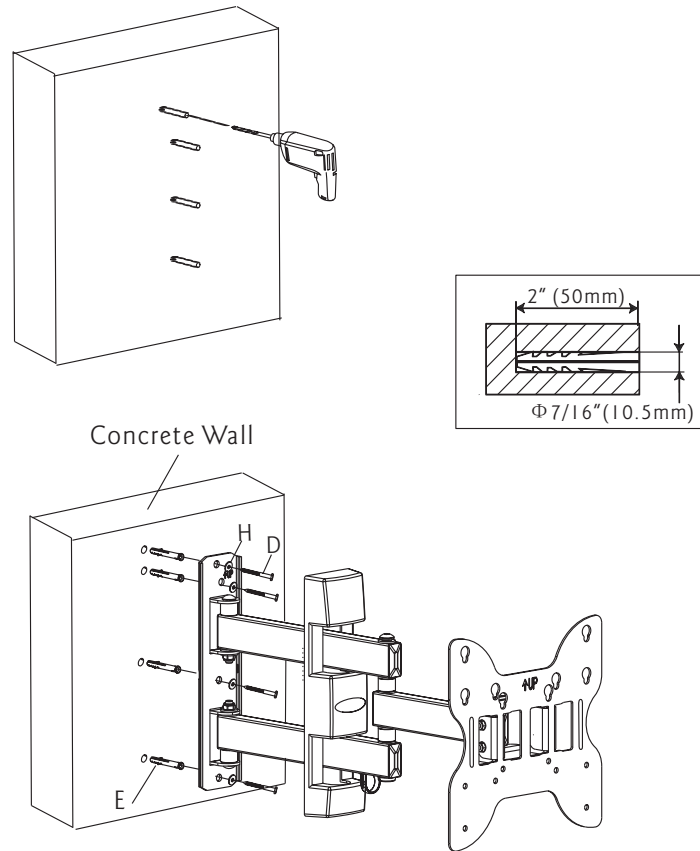
Part 1a-Wood Stud Mounting

Use wall plate as a template, make sure it is level, and mark four mounting holes on the wood studs. Drill four 3/16" (4.5mm) dia. holes 2" (50mm) deep. Level wall plate and attach to wall with four long bolts(D) and four washers(H). Tighten bolts firmly. Do not overtighten.



Part 1b-Concrete Wall Mounting

Level wall plate and use wall as a template to mark four holes. Drill four 7/16" (10.5mm) dia. holes 2" (50mm) deep. Insert four anchors(E) into holes and secure wall plate with four long bolts(D) and four washers(H). Tighten bolts firmly. Do not overtighten.



Part 2-Attaching Screen to TV plate

Select the small(A), medium(B) or large(C) bolts. Attach two spacers(F) to the top two mounting holes on the back of the screen using two of the selected bolts. Tighten bolts firmly. Do not overtighten.

- A: VESA 75 (75mm x 75mm)
- B: VESA 100 (100mm x 100mm)
- C: VESA 200 (100mm x 200mm)
- D: VESA 200 (200mm x 200mm)

