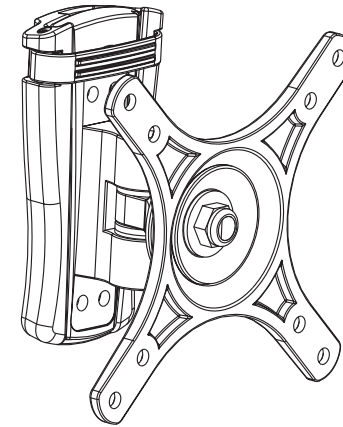


INSTALLATION GUIDE

Item No.: WM1024



Thank you for choosing our product!



Warning

This product contains small items that could be a choking hazard if swallowed. Keep these items away from young children !

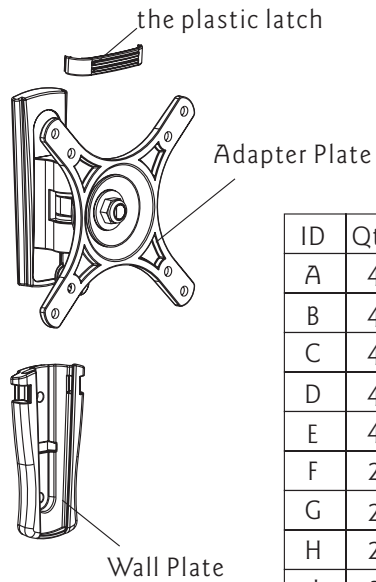
1. Make sure these instructions are read and completely understood before attempting installation. If you are unsure of any part of this installation, contact a professional installer for assistance.
2. The wall or mounting surface must be capable of supporting the combined weight of the mount and the display; otherwise the structure must be reinforced
3. Safety gear and proper tools must be used. A minimum of two people are required for this installation. Failure to use safety gear can result in property damage, serious injury or death.

- TV Size Range: 10" – 24"
- Maximum Weight Capacity: 15 kg/33 lbs
- VESA Compliant (75, 100)
- Tilt Degree -5° to 15°
- Minimum Mounting Profile: 3"
- Integrated Cable Management
- UL Listed

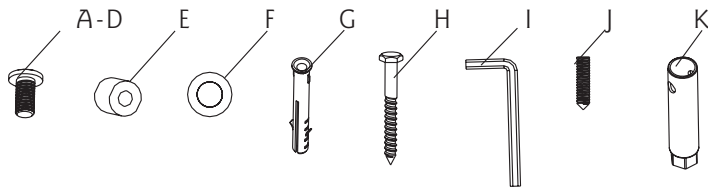
CAUTION

This product was designed to be installed on wood stud walls and solid concrete walls. Before installing make sure the supporting surface will support the combined load of the equipment and hardware. Never exceed the Maximum Load Capacity. This product is intended for indoor use only. Use of this product outdoors could lead to product failure or personal injury.

Hardware Kit:

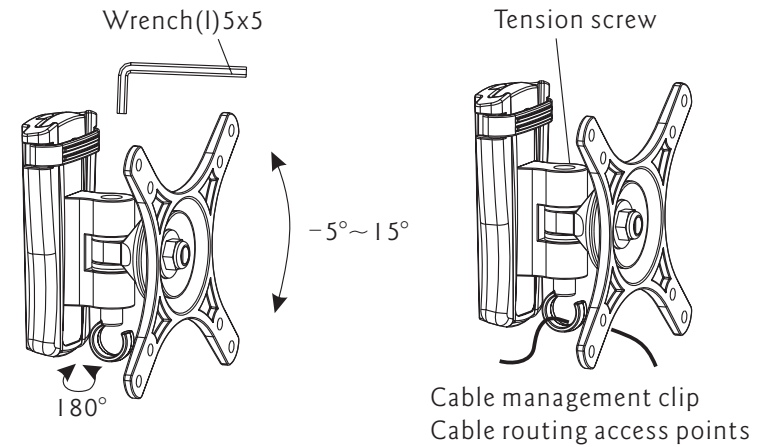


ID	Qty	Description
A	4	M4x12mm bolt
B	4	M4x25mm bolt
C	4	M5x12mm bolt
D	4	M5x25mm bolt
E	4	Spacer
F	2	Washer
G	2	Concrete Anchor
H	2	Drywall Screw
I	3	Allen Wrench(2x2&4x4&5x5)
J	1	Hexagon screw
K	1	Box wrench



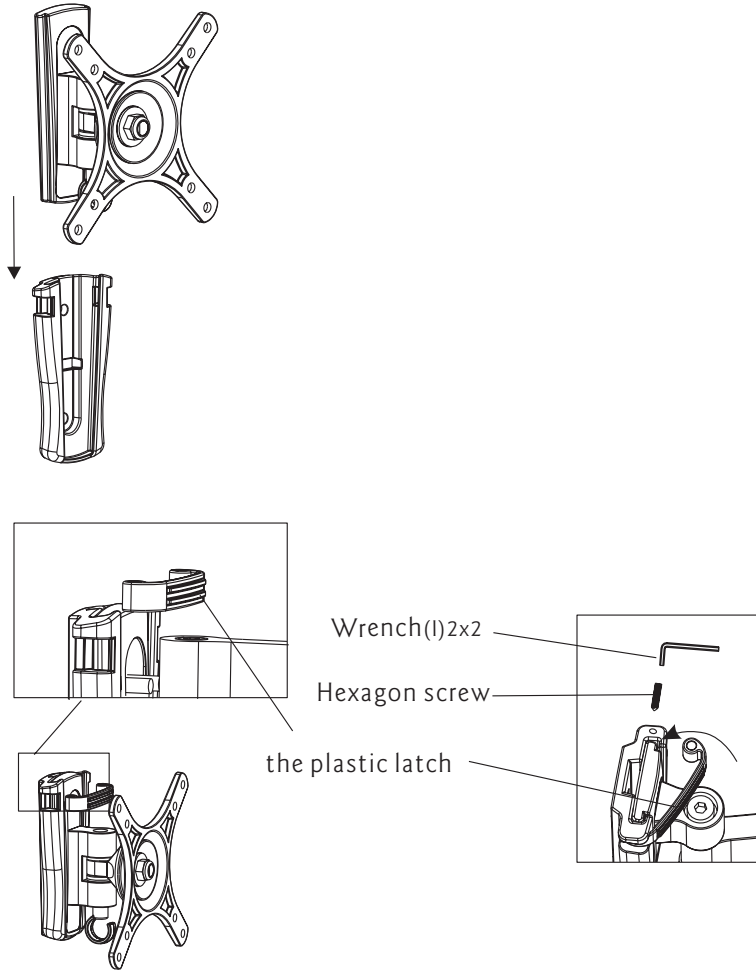
Part 4-Adjusting display and using cord management

Route cords along articulating arm using cord management clip. Articulating arm can be adjusted to position display into desired location. Use allen wrench (I) 5x5 to tighten and loosen the tension screw. Do not overtighten and do not loosen to the point the screws come out.



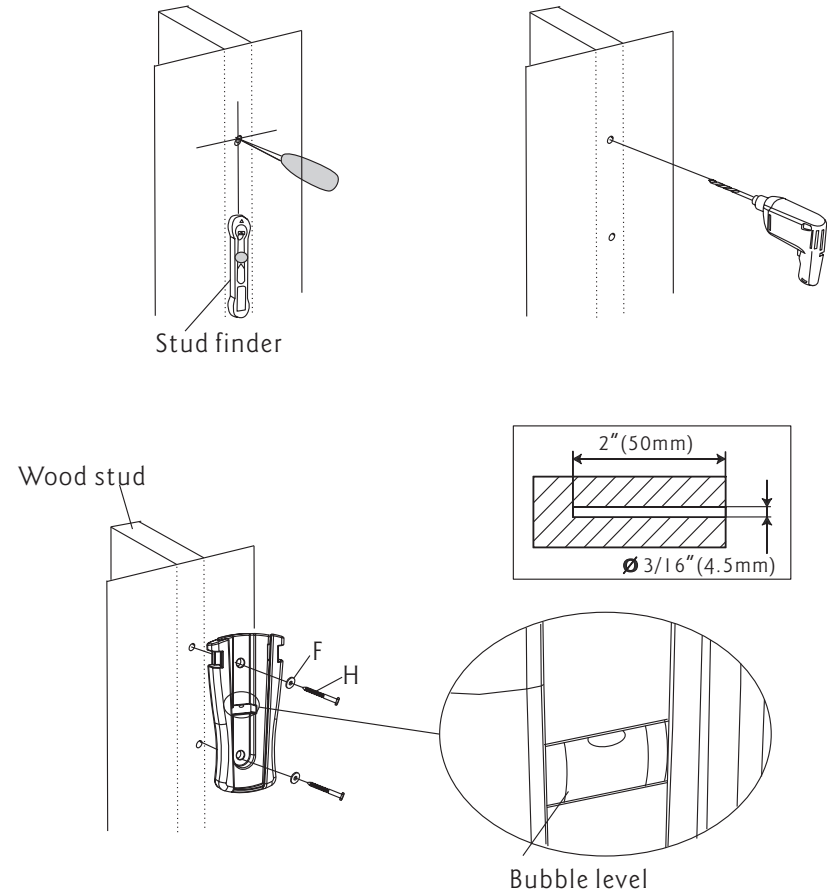
Part 3 Attaching Adapter Plate to Wall Plate

Attach adapter plate to wall plate by sliding flanges of adapter plate into flanges of wall plate. Secure with Hexagon screw and Plastic latch.



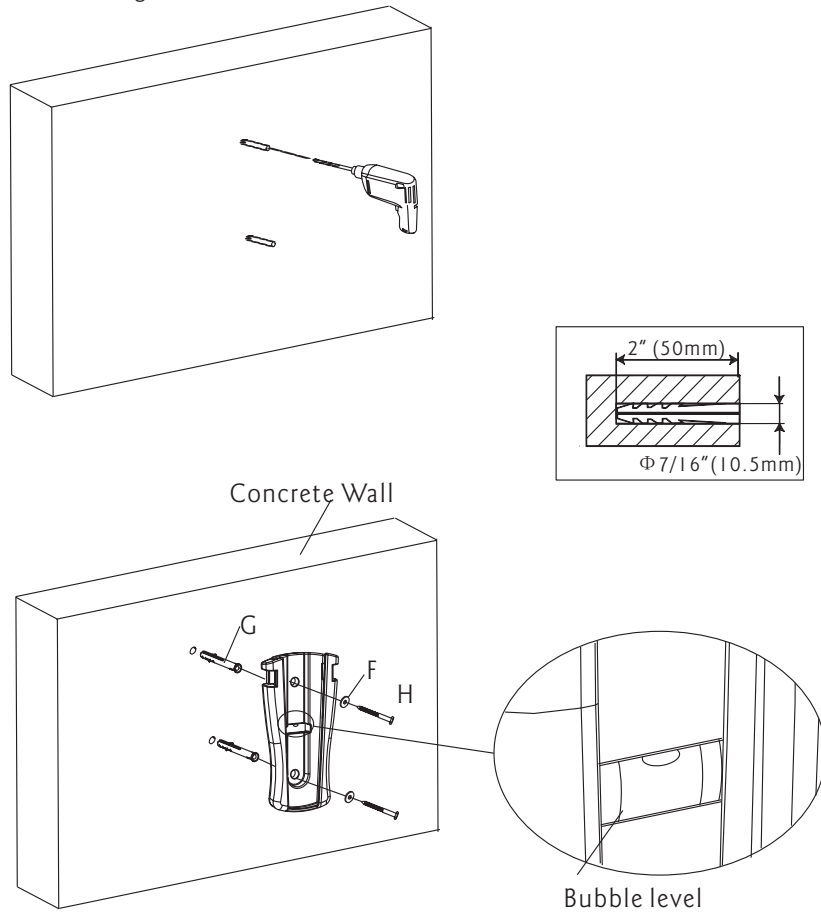
Part 1a-Wood Stud Mounting

Use wall plate as a template, make sure it is level, and mark two mounting holes along the center line of the wood stud. Drill two 3/16" (4.5mm) dia. holes 2" (50mm) deep. Level wall plate and attach to wall with two long bolts(H) and two washers(F). Tighten screws firmly. Do not overtighten.



Part 1b-Concrete Wall Mounting

Level wall plate and use wall as a template to mark two holes. Drill two 7/16" (10.5mm) dia. holes 2" (50mm) deep. Insert two anchors(G) into holes and secure wall plate with two long bolts(H) and two washers(F). Tighten screws firmly. Do not overtighten.



Part 2-Attaching Adapter Bracket to Screen

Determine the proper VESA mounting configuration for your screen using detail 1. If attaching to screen with Curved back select the small(B) or medium(D) screws. Attach adapter bracket to screen using four selected screws and four spacers(E) as shown in figure 1.

If attaching to screen with flat back select the small(A) or medium(C) screws. Attach adapter bracket to screen using four selected screws as shown in figure 2. Tighten screws firmly. Do not overtighten.

