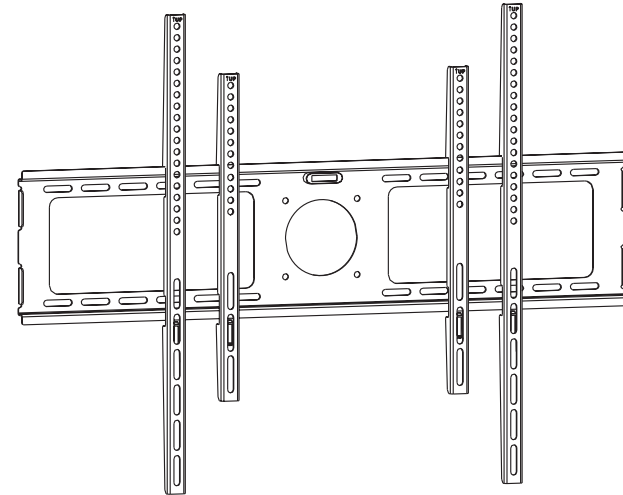


INSTALLATION GUIDE

Item No.: WM3665F



- TV Size Range: 36" – 65"
- Maximum Weight Capacity: 60 kg/132 lbs
- VESA Compliant (800 x 600 and Less)
- Minimum Mounting Profile: 1"
- Mounting Plate: 33.2" W x 8"H
- Locked by Safety Bolt on the Bottom
- Balance Adjust System is Included
- UL Listed

Thank you for choosing our product!



Manufactured in China for Vanco International
506 Kingsland Dr., Batavia, IL, 60510 USA
Call: 1.800.626.6445, Fax: 1.630.879.9189
www.vanco1.com, ©2010

Warning

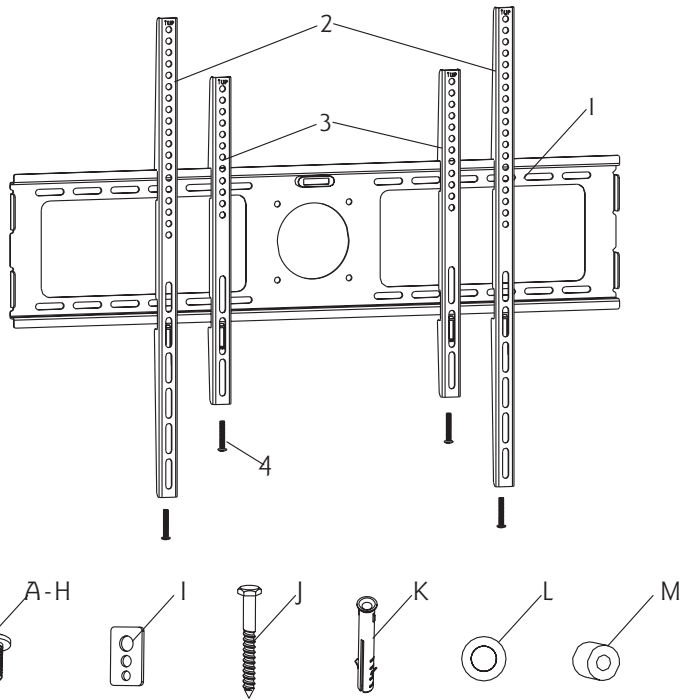
This product contains small items that could be a choking hazard if swallowed. Keep these items away from young children !

1. Make sure these instructions are read and completely understood before attempting installation. If you are unsure of any part of this installation, contact a professional installer for assistance.
2. The wall or mounting surface must be capable of supporting the combined weight of the mount and the display; otherwise the structure must be reinforced
3. Safety gear and proper tools must be used. A minimum of two people are required for this installation. Failure to use safety gear can result in property damage, serious injury or death.

CAUTION

This product was designed to be installed on wood stud walls and solid concrete walls. Before installing make sure the supporting surface will support the combined load of the equipment and hardware. Never exceed the Maximum Load Capacity. This product is intended for indoor use only. Use of this product outdoors could lead to product failure or personal injury.

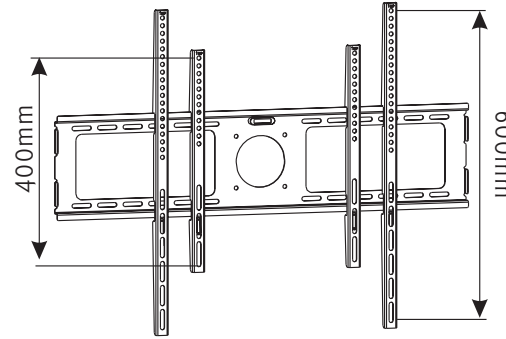
Hardware Kit:



ID	Qty	Description
I	1	Wall plate
2	2	Long Bracket
3	2	Short Bracket
4	4	Safety bolt
A	4	M4×12mm bolt
B	4	M4×16mm bolt
C	4	M5×16mm bolt
D	4	M6×16mm bolt
E	4	M8×16mm bolt

ID	Qty	Description
F	4	M5×36mm bolt
G	4	M6×36mm bolt
H	4	M8×36mm bolt
I	4	Square washer
J	6	Long bolt
K	6	Wall anchor
L	6	Long bolt washer
M	4	Spacer

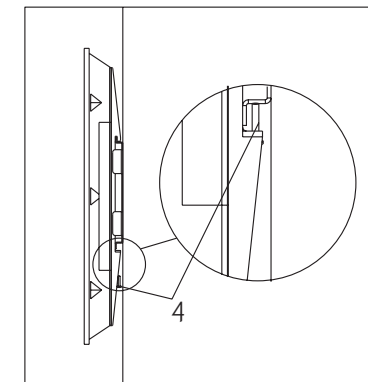
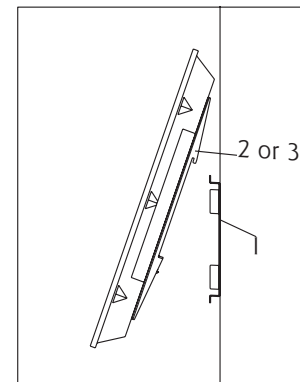
Choose the bracket according to the holes' distance of your TV:
Short bracket for VESA under 400 ;long bracket for VESA up 400.



Part 3-Mounting the flat panel screen

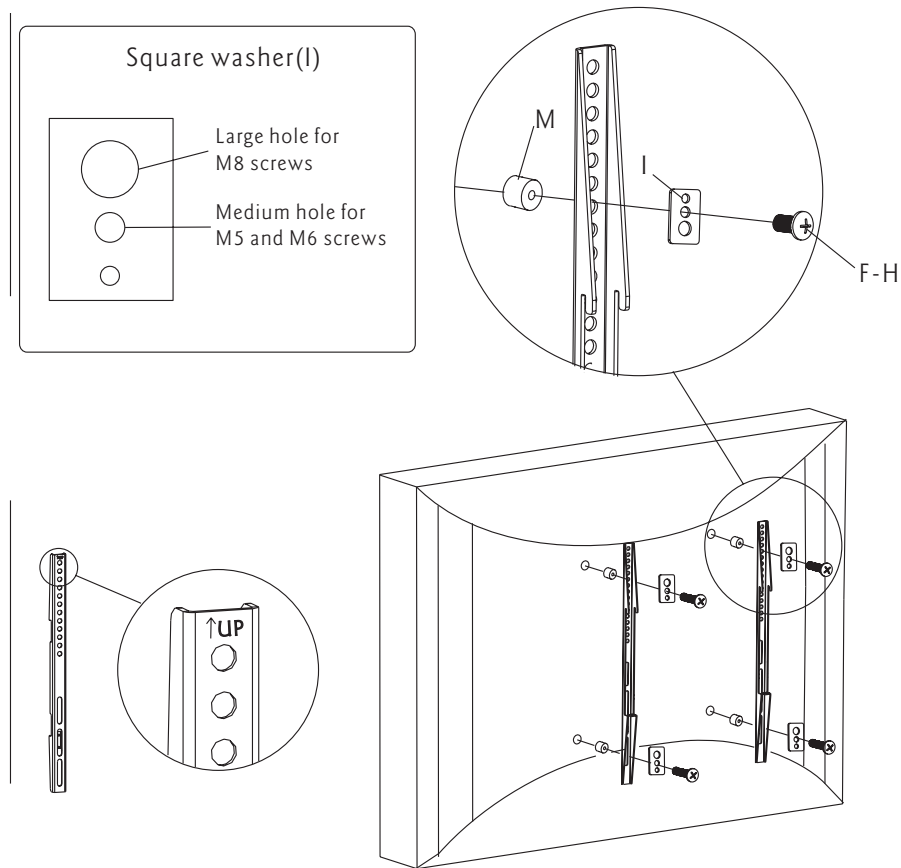
Hook the top of brackets(2) or brackets(3) onto the top flange of wall plate(1). Then swing the screen down. Tighten the safety bolt(4) on each bracket to lock the screen into place.

NOTE: Always use an assistant or mechanical lifting equipment to safely lift and position heavy equipment.



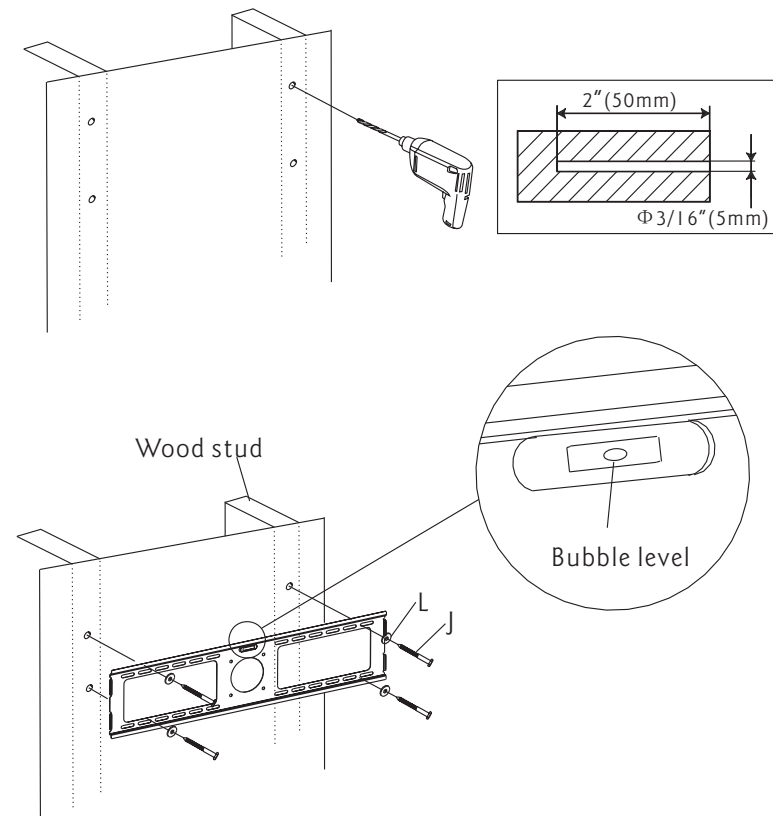
Part 2b-Attaching brackets to screen with recessed back

Center brackets vertically on back of screen. Select the medium (F or G) or large (H) screws. Attach brackets to screen using four selected screws, four square washers (I) and four spacers (M) at the top and bottom of each bracket. Tighten screws firmly. Do not overtighten.



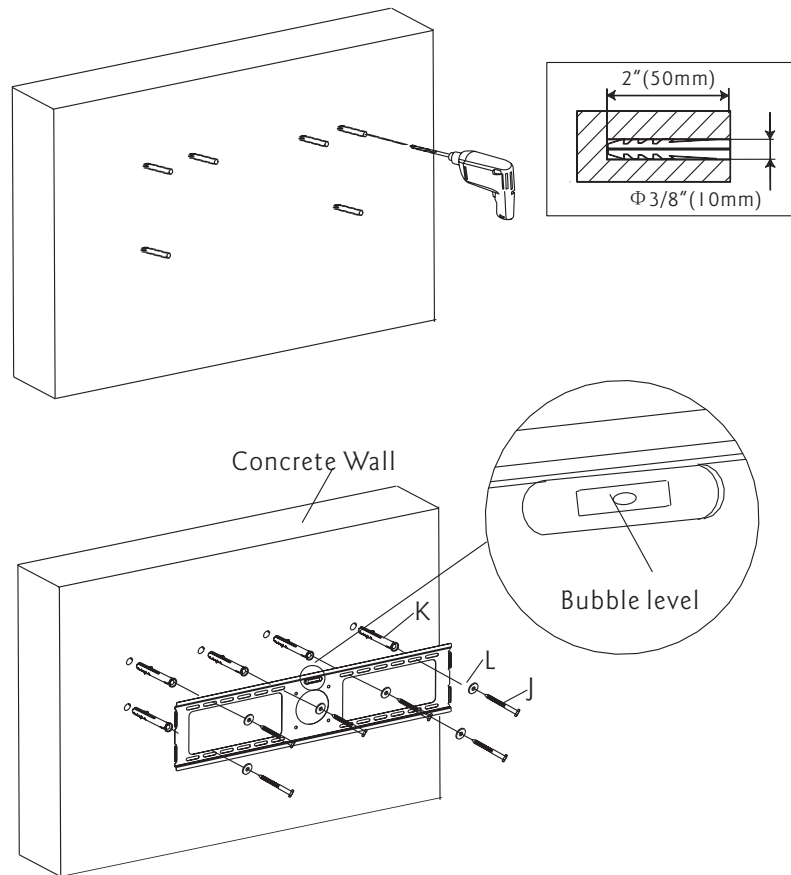
Part 1a-Wood Stud Mounting

Use wall plate (I) as a template, make sure it is level, and mark four mounting holes along the center lines of the wood studs. Drill four 3/16" (5mm) dia. holes 2" (50mm) deep. Level wall plate (I) and attach to wall with four long bolts (J) and four washers (L). Tighten screws firmly. Do not overtighten.



Part 1b-Concrete Wall Mounting

Level wall plate(I) and use wall as a template to mark six holes. Drill six 3/8" (10mm) dia. holes 2"(50mm) deep. Insert six anchors(K) into holes and secure wall plate with six long bolts(J) and six washers(L). Tighten screws firmly. Do not overtighten.



Part 2a-Attaching Brackets To Screen With Flat Back

Center brackets vertically on back of screen. Select the small(A or B), medium(C or D) or large(E) screws. Attach brackets to screen using four selected screws and four square washers(I) at the top and bottom of each bracket. Tighten screws firmly. Do not overtighten.

